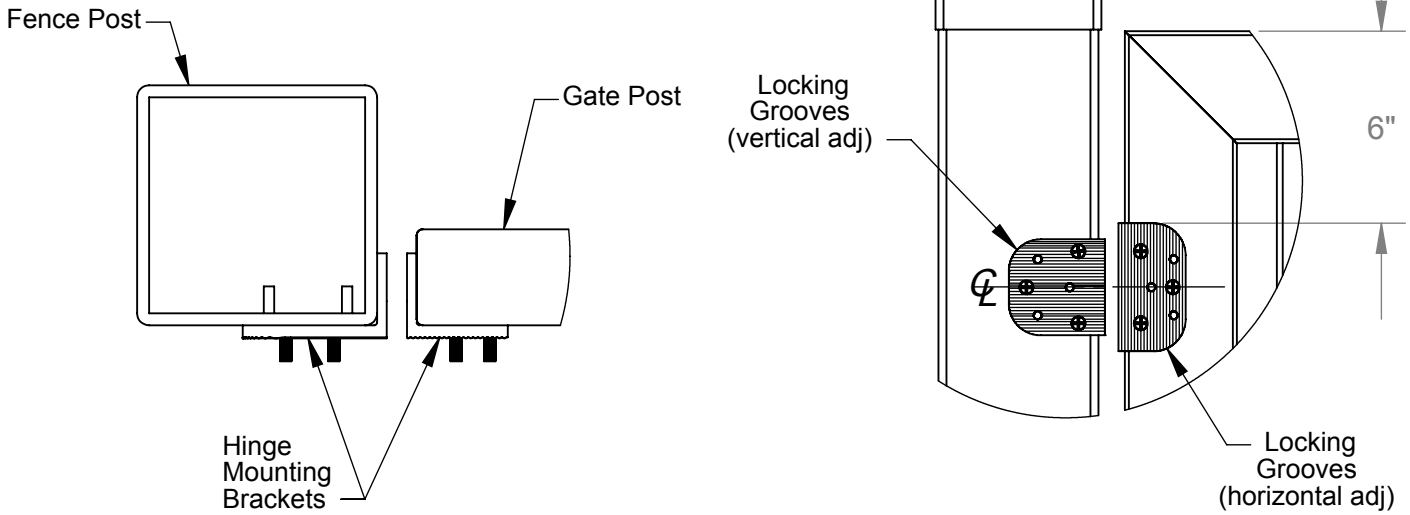


HINGE MOUNTING

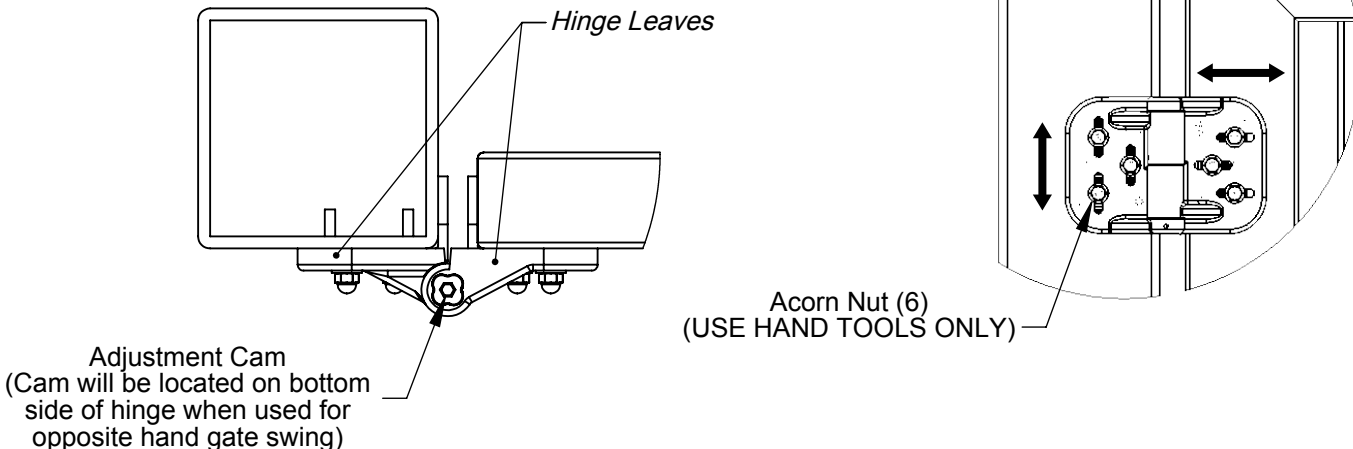
The hinge mounting flanges should be located as shown, with the wide flange installed on the gate post, and the narrow flange positioned on the fence post. The brackets should be positioned on the outside surfaces of the posts with the gate in the closed position. The top edge of the upper hinge should be mounted within 6" of the top surface of the top rail, and the bottom edge of the lower hinge should be mounted within 6" of the lower surface of the lower rail. The gate and post leaves should be centered to one another as closely as possible. In applications where additional hinges are used, they should be evenly spaced between the upper and lower hinges.

1



2

Install self closing hinge assembly to mounting flanges (installed in step 1) and secure with acorn nuts (USE HAND TOOLS ONLY). Hinge should be positioned as shown so that the locking grooves on the mounting flanges will align with grooves on the back side of the hinge assembly. This will allow the hinge to be adjusted horizontally on the gate side, and vertically on the post side.



SPRING TENSION ADJUSTMENT AND MAINTENANCE

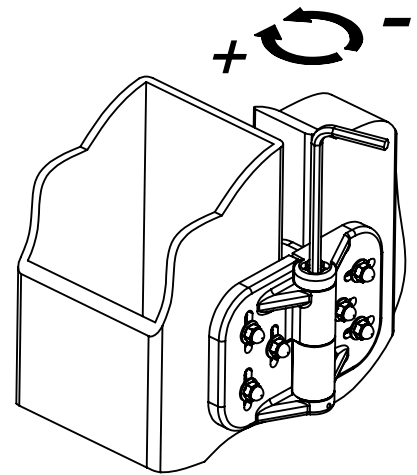
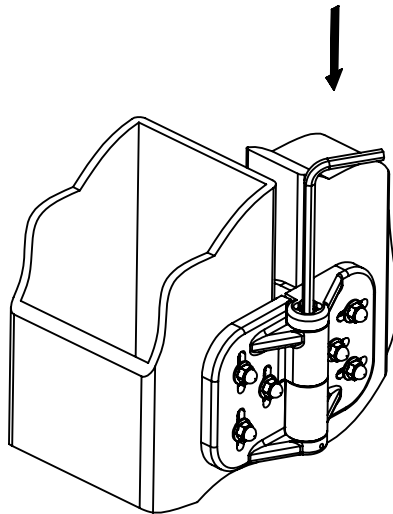
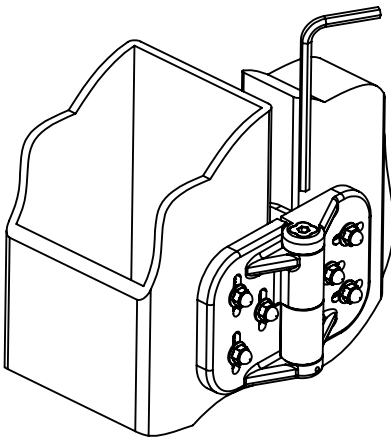
WARNING!!!

Spring tension should never be increased more than 2 full turns (8 quarter turns) from the neutral position

Insert allen wrench into the cam at the end of the hinge barrel.

Press the wrench downward, pushing the cam into the barrel.

Rotate the cam clockwise to increase spring tension and counter-clockwise to reduce spring tension. Adjust one hinge at a time in 1/4 turn increments.



NOTE:

The hinge should be inspected annually, or more frequently if the gate is used often. Spring tension adjustments should be made as needed. The hinge should be regularly lubricated by spraying an oil based lubricant into the area of the cams and barrel.