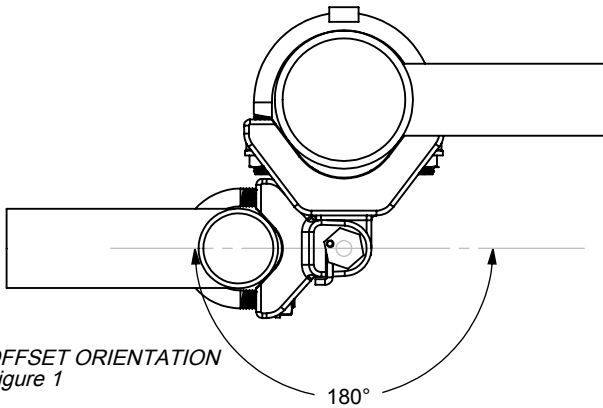


Gate and post sizes

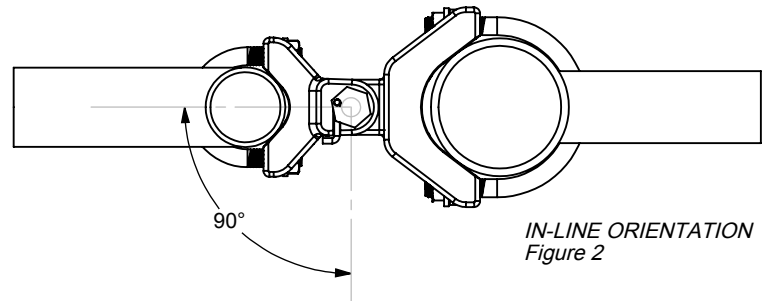
PART #	GATE POST DIAMETER	FENCE POST DIAMETER
CL-7210	1-3/8" - 1-5/8"	2.5" - 3"
CL-7211	1-3/8" - 2"	2.5" - 3"
CL-7212	1-3/8" - 2"	4"

Mounting orientation

These hinges can be mounted from an in-line orientation (Fig. 2) to an offset orientation (Fig. 1). With the in-line orientation, the gate will open about 90 degrees. In the offset orientation, the gate will open about 180 degrees. The hinges can also be mounted with either end up but the adjustment hex must be adjusted only in the direction shown (Fig. 4) or early spring failure and improper operation will result.



OFFSET ORIENTATION
Figure 1



IN-LINE ORIENTATION
Figure 2

Tension adjustment

Hold the adjustment hex with a wrench while loosening the set screw with the supplied hex wrench (Fig. 3). Turn the adjustment hex to adjust tension, clockwise to increase tension, counter-clockwise to reduce tension (Fig. 4). Once desired tension is set, tighten the set screw. Note: The maximum tension adjustment is one full turn.

Optional mounting screws

If desired, the hinges may be screwed to the post as shown in figure 5. (Screws not included)

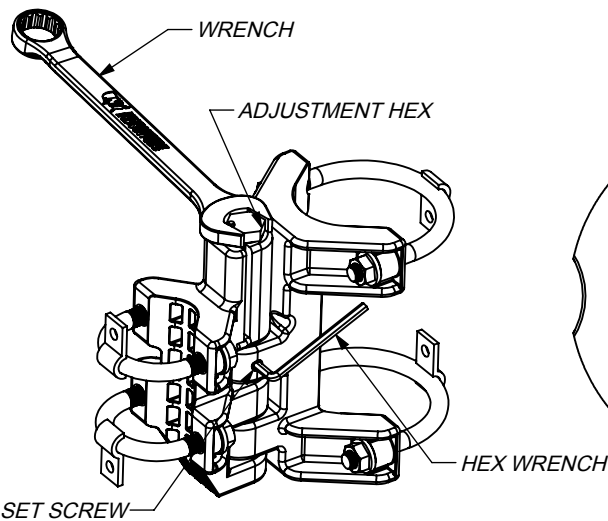


Figure 3

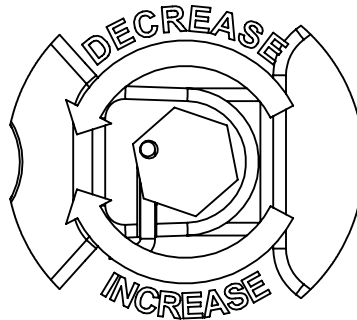


Figure 4

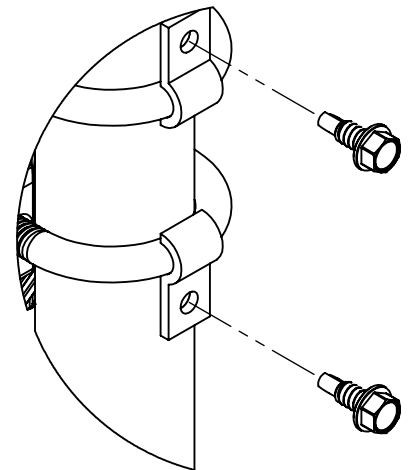


Figure 5

NOTE:

The hinge should be inspected annually, or more frequently if the gate is used often. Spring tension adjustments should be made as needed. The hinge should be regularly lubricated by spraying an oil based lubricant into the barrel.