

To reverse the latch follow the steps listed below.

1. Locate the diagram for the configuration desired. (A or B) .
2. Disassemble the latch being careful not to lose any parts.
3. Assemble the "Cam", "Axle", "Cam Spring", and "latch bar spring" as shown in figure 1.
4. Place assembly into the "Housing" while positioning springs and components as shown in figure 2. Caution: the assembly will need to be held in this position until step 5 has been completed or the springs will jump out of place.
5. While holding assembly in place, install "back plate" and secure with the two "pan head screws".
6. Adjust the position of the "axle" so that it extends an equal amount on each side.
7. Install a "bushing" on each end of the "axle" and slide into the "housing" and "back plate".
8. Install "handle RH" and "handle LH" in the orientation shown in figure 3 and tighten set screws.

ITEM #	DESCRIPTION	QTY.
1	HOUSING	1
2	BACK PLATE	1
3	LATCH BAR	1
4	HANDLE RH	1
5	HANDLE LH	1
6	AXLE	1
7	CAM	1
8	BUSHING	2
9	CAM SPRING	1
10	LATCH BAR SPRING	1
11	SET SCREW	2
12	PAN HEAD SCREW	2

## CONFIGURATION A

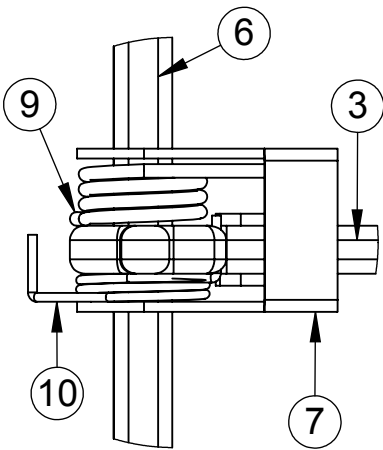


Figure 1

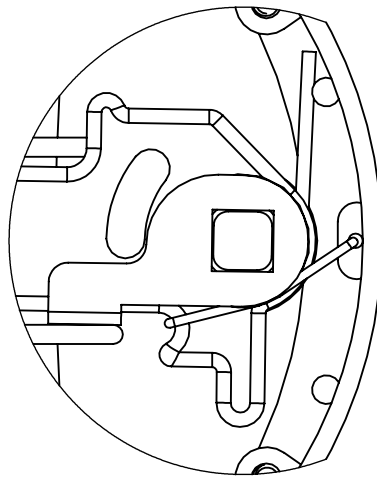


Figure 2

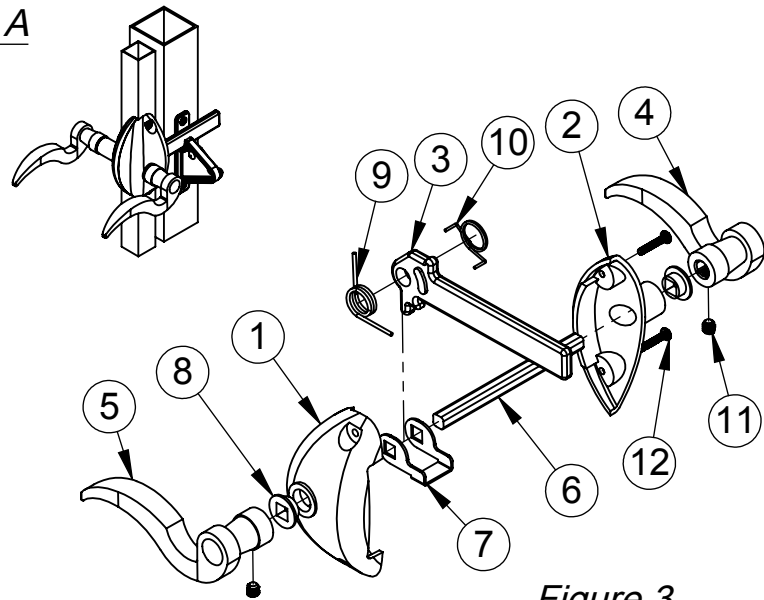


Figure 3

## CONFIGURATION B

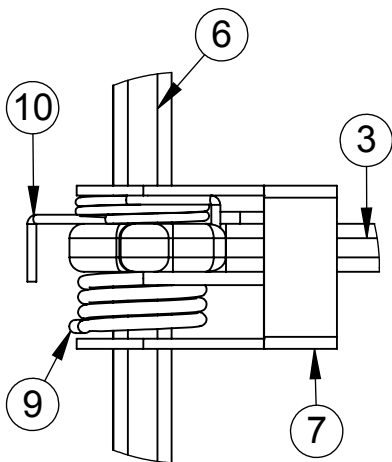


Figure 1

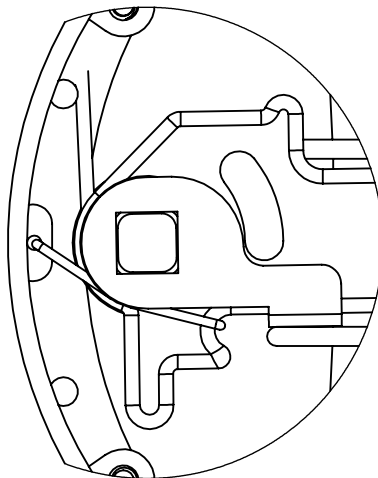


Figure 2

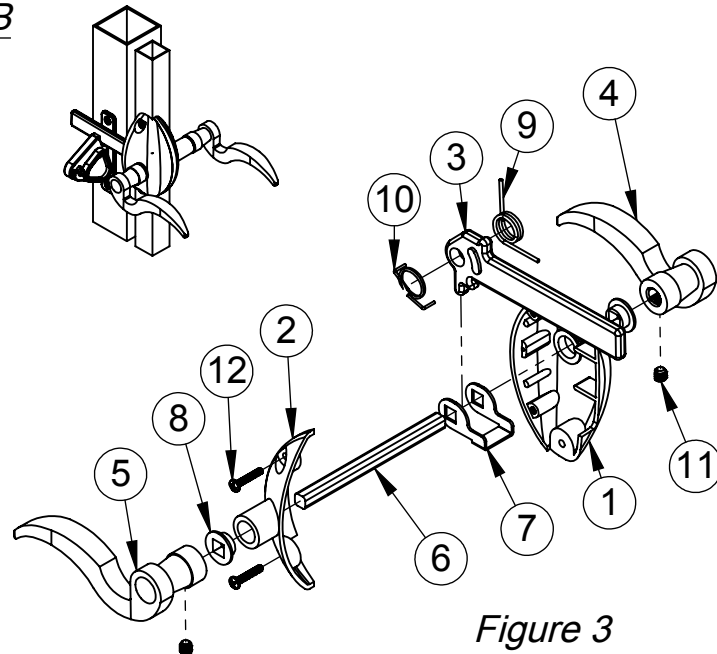


Figure 3