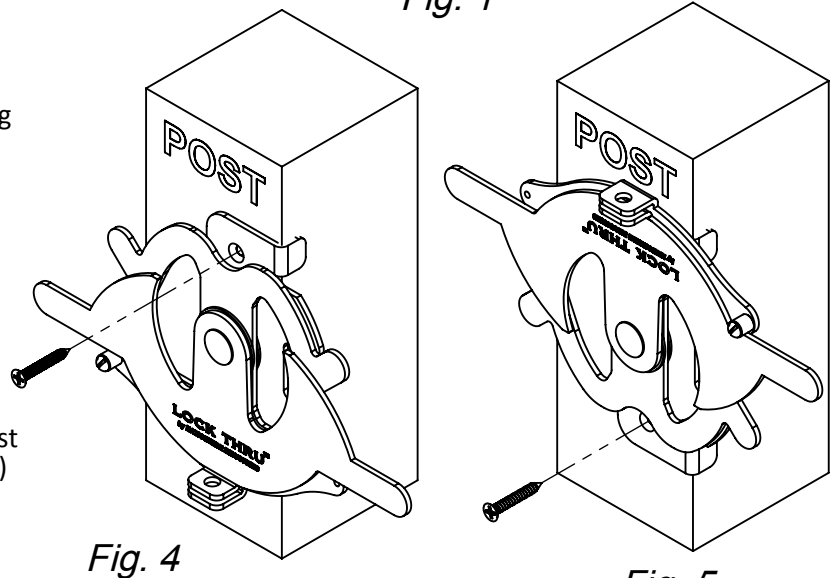
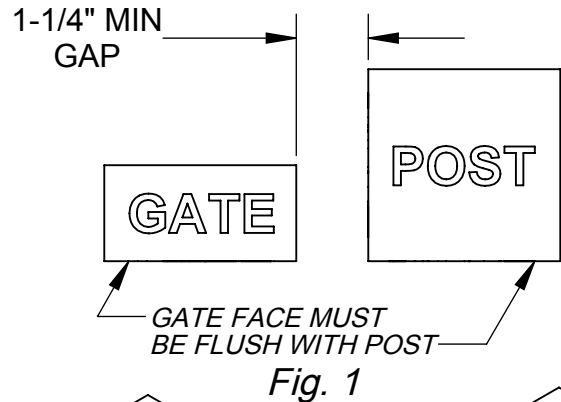


## LOCK THRU GATE LATCH

[www.nationwideindustries.com](http://www.nationwideindustries.com)

### INSTALLATION INSTRUCTIONS

1. Measure the gate gap to ensure your gap meets the 1-1/4" minimum requirement for this latch. The gate face and post face must also be flush. (Fig. 1)
2. Place latch on fence post, as shown in Fig. 7 & 8 below, at the appropriate height for your application.
3. In many cases, a pilot hole should be drilled in the wood before installing the screws to prevent splitting. To do this simply hold the latch in the position it is to be mounted and mark the two mounting holes. Remove the latch and drill each hole about 2" deep. A 1/8" bit should work well in most situations.
4. Install one #12 x 1.5"L screw in the upper mounting hole. (Fig. 4)
5. Rotate latch to uncover lower mounting hole and install remaining #12 x 1.5"L screw. (Fig. 5)
6. Locate striker vertically on the gate so that it is positioned in the middle of the latch slot. (Fig. 6)
7. Locate the striker horizontally so that the screw hole closest to the ball is 1/2" from the edge of the gate. The ball on the striker should protrude at least 1/2" from latch. Install two remaining screws. (Fig. 7)
8. Check that the stop screw is in the proper location for your installation. The stop screw should be located on the side away from the striker. Remove and reinstall in proper location if necessary. (Fig. 8)



INSTALL  
STOP  
SCREW  
AND  
SPACER ON  
SIDE AWAY  
FROM  
STRIKER

