

NOTE: Nationwide Industries does not recommend using any lever-handle or pull-handle latches on a pool gate. Even when these types of latches are mounted at a height which would meet most pool safety codes, it is still inherently easier for a child to "hook" something (e.g. a towel, rope, or branch) around this type of handle (vs. a pool safety latch), possibly allowing the gate to be opened. Visit www.nationwideindustries.com to see pool gate safety latch options, which are more appropriate for this intended use.

Under ideal conditions the MANTA® has a minimum gate gap of 5/16" and a maximum gate gap of 1-5/16". The minimum gate gap required may increase based on your gate dimensions and hinge selection. For example, when used with our CornerStone® hinges, a 36" wide gate and a 4" thick gate frame, the MANTA® will require a minimum gate gap of 11/16". Other hinges may require a different gap. A gate less than 36" wide or a gate frame thicker than 4" may require a larger gate gap.

STEP 1 (Fig. 1) Locating Mounting Holes

- Mark **FRONT** of Gate Frame with a horizontal line at the desired height of the Latch.
- Measure in 1.00" from the side of the Gate Frame and make a vertical mark on the previous Latch centerline mark.
- Repeat on the **BACK SIDE** of the Gate Frame.
- Using the center of the 2 marks, drill a ϕ 5/8" hole thru **BOTH** sides of Gate Frame.

TAKE CARE TO ENSURE THAT THE HOLES ARE STRAIGHT AND LEVEL.

STEP 2 (Fig. 2 & Gate Size Chart - see below)

The MANTA® VINYL GATE LATCH is designed to fit many different Gate sizes. Pick out the Gate size from the chart shown below and determine the required size to trim the Lock Spindle and the length of Spindle Tube required.

IMPORTANT: AVOID BENDING LOCK SPINDLE DURING TRIMMING PROCESS

Select the supplied Spindle Tube, and if required, trim the Spindle Tube 3/4" LONGER than the Gate Size as determined from the Gate Size Chart.

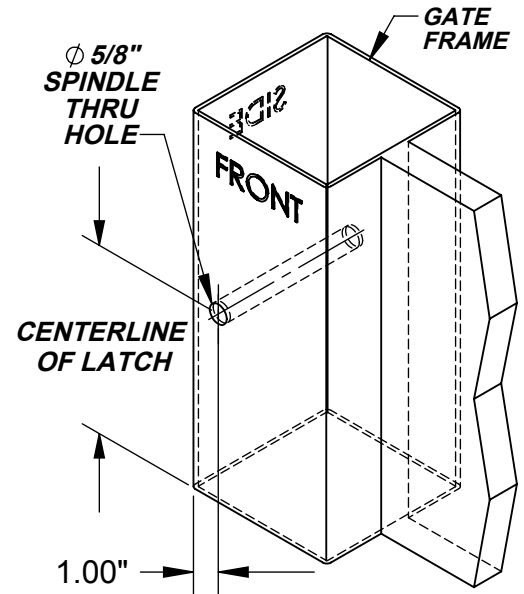


FIG. 1

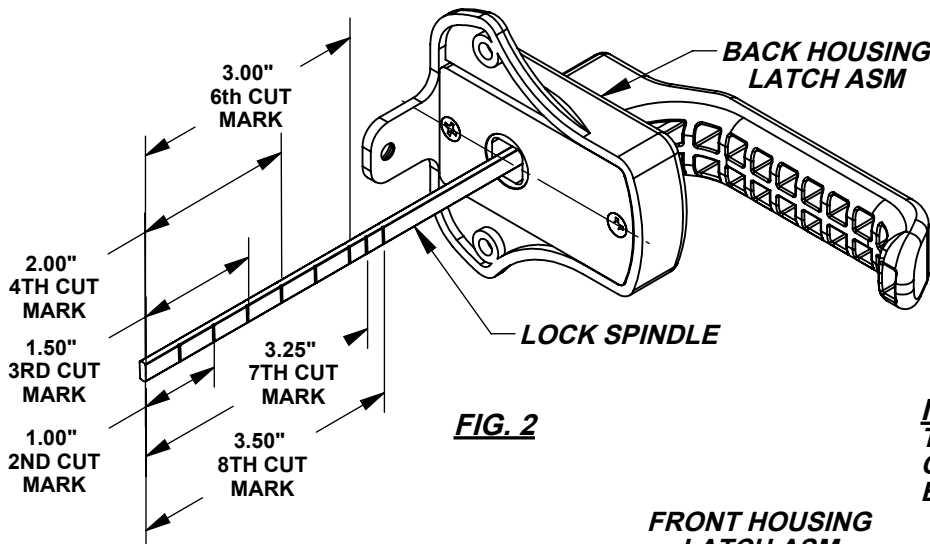


FIG. 2

GATE THK.	SPINDLE CUT LENGTH	SPINDLE TUBE LENGTH
1-1/2"	3.50" - 8TH CUT MARK	2-1/4"
1-3/4"	3.25" - 7TH CUT MARK	2-1/2"*
2"	3.00" - 6TH CUT MARK	2-3/4"*
3"	2.00" - 4TH CUT MARK	3-3/4"
3-1/2"	1.50" - 3RD CUT MARK	4-1/4"
4"	1.00" - 2ND CUT MARK	4-3/4"*
5"	DO NOT CUT	5-3/4"*

IMPORTANT: SPINDLE TUBE IS A FUNCTIONAL COMPONENT AND MUST BE INSTALLED

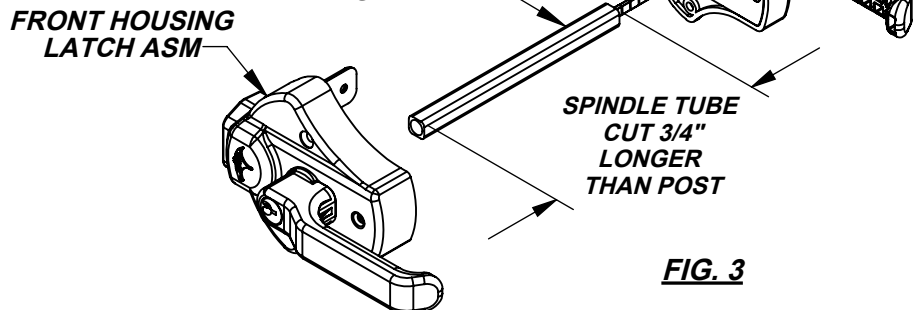


FIG. 3

*SPINDLE TUBE OF THIS LENGTH SUPPLIED IN PACKAGE.

STEP 3

- Slide the Spindle Tube over the Lock Spindle and insert into the Back Housing Assembly approx 3/8" (Fig. 3)
- From the back side of the Gate, slide the Back House Assembly thru the ϕ 5/8" hole in the Gate. Assembly must sit flush on the front and side of the Gate. Mount Assembly using the supplied mounting screws.
- Note: The Spindle Tube should protrude approx 3/8" thru the opposite side of the Gate (Fig. 4) and the Lock Spindle should protrude slightly from the Spindle Tube

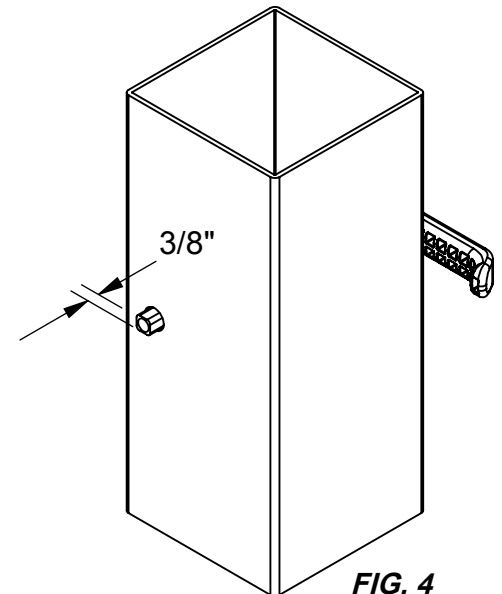


FIG. 4

STEP 4

- Make sure the Front Housing Latch is in the LOCKED POSITION, rotate the Back Handle Lock Spindle CLOCKWISE until it stops. Mount the Front Housing Latch to front of the Gate. Align the Lock Spindle with the slot in the back of the Front Housing. The protruding 3/8" portion of the Spindle Tube should engage into the Latch. Latch must sit flush on the front and side of the Gate. Mount Assembly using the supplied mounting screws.

To ensure proper installation, insert a key into the Front Housing Latch Assembly (neutral position). The key should turn slightly more than 180 deg. in both directions and unlock or lock the Latch. Return the Key to the neutral position and remove from the Front Latch, repeat same test with the Back Latch.

DO NOT PERFORM TEST WITH BOTH KEYS INSERTED.

If a key does not turn slightly more than 180 deg. or operate the lock, Remove the Front Housing Latch, turn the Lock Spindle 180 deg. until it stops and re-mount the Latch, and test.

- Actuate Handle to ensure a smooth operation.

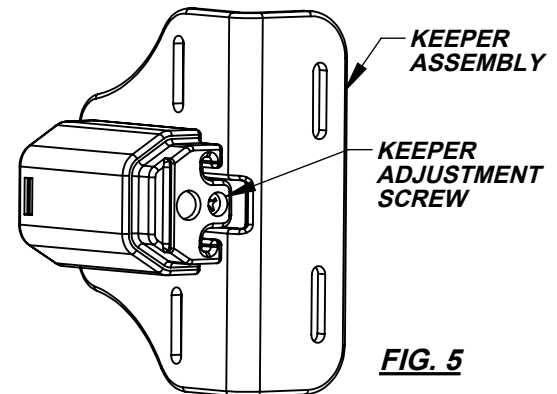


FIG. 5

STEP 5 (Fig. 6)

- Align the Keeper Assembly on the Fence Post with the centerline of the mounted Gate Latch Assembly. Engage the Keeper with the Latch by closing the Gate. Mark the location of the center of the Keeper Mounting holes. Mount Keeper Assembly using the supplied mounting screws.
- Close Gate to ensure the Latch is operating as intended. Once closed, the Latch should engage. Actuating the Handle should disengage the Latch. If the Latch does not engage, The Keeper should be adjusted accordingly.

To adjust the Keeper Assembly horizontally, manually turn the Adjustment Screw as required. (Fig. 5)

STEP 6

- Operate the Latch mechanism approximately 25 times.
- Wipe any excess grease from the Keeper Assembly and Front Housing.

Optional

- The Front Housing contains an optional screw location behind the handle (see Fig. 6). On wider vinyl Gate Frames it may be desirable to install this additional screw to eliminate some of the flex in the Gate Frame. The screw pack contains a #8 X 1-3/4" self-drilling screw specifically for this hole.

Maintenance

- Add Moly EP Grease to Cam surface in Front Housing as needed.
- Periodically clean with mild detergent.

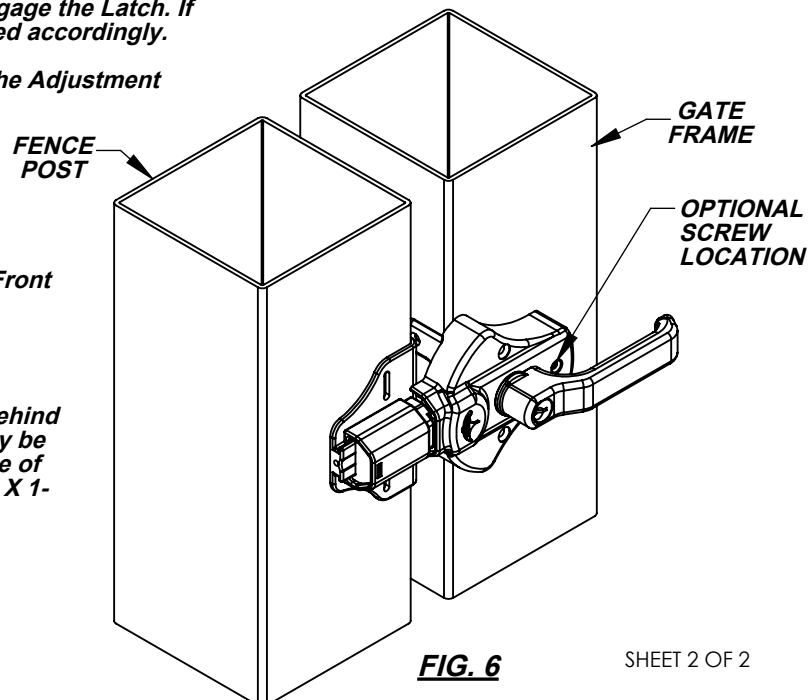


FIG. 6