



PATENTED
CORNERSTONE®
CH095F - FULLY ADJUSTABLE HINGE



HEAVY DUTY DESIGN



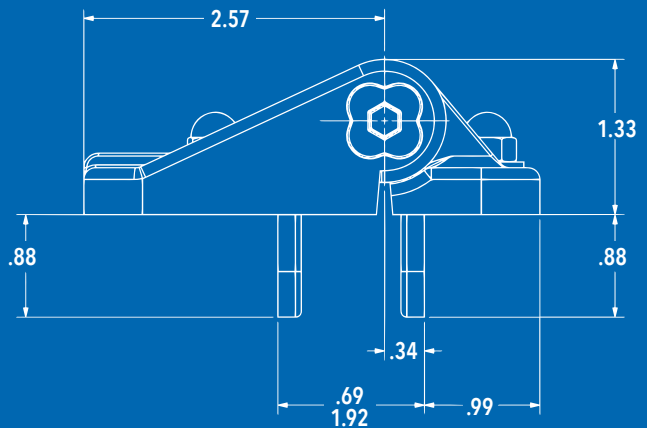
HORIZONTAL AND VERTICAL ADJUSTMENT



EASY INSTALLATION



ALLEN WRENCH INCLUDED



Part Number	Description	Count	Case Weight (lbs)
CH095F-SD-BK	CornerStone®-Nylon Fully-Adj Self-Closing Hinge, Medium Size fits 2" Gate post & Small Gate frames SS Self-Drilling Screws, Black	20(PR)	26
CH095F-SD-WH	CornerStone®-Nylon Fully-Adj Self-Closing Hinge, Medium Size fits 2" Gate post & Small Gate frames, SS Self-Drilling Screws, White	20(PR)	26
CH095F-ZD-BK	CornerStone®-Nylon Fully-Adj Self-Closing Hinge, Medium Size fits 2" Gate post & Small Gate frames, Std Z/P Screws, Black	20(PR)	26
CH095F-ZD-WH	CornerStone®-Nylon Fully-Adj Self-Closing Hinge, Medium Size fits 2" Gate post & Small Gate frames, Std Z/P Screws, White	20(PR)	26

