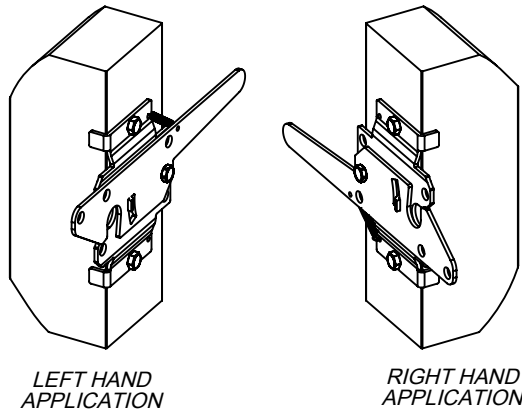


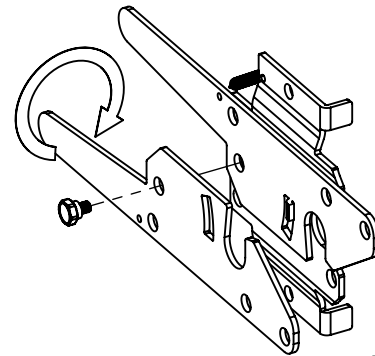
### PLEASE CAREFULLY READ ALL OF THE INSTRUCTIONS PRIOR TO INSTALLATION

The Post Latch is designed to fit both right-handed and left-handed gate applications. This can be accomplished in one of two ways:

- 1) The first way is to simply position the latch to the fence post (FIG 1) per the required application, and follow the mounting instruction steps 1 thru 3.
- 2) The second way is to begin by removing the pivot screw and spring. Reverse the latch plate and re-install the pivot screw. Re-attach the spring to the top side of the latch as shown (FIG 2) and follow the mounting instruction steps 1 thru 3.



**FIG 1**

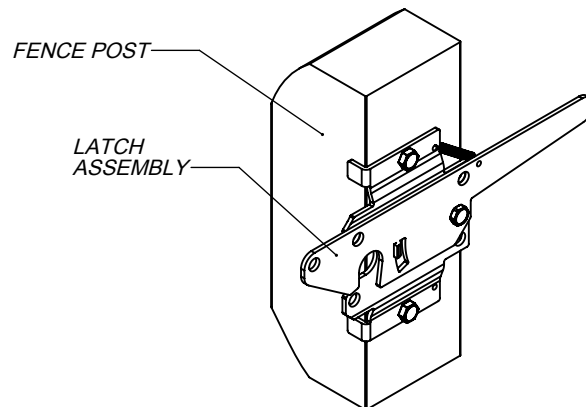


**FIG 2**

**RIGHT HAND  
APPLICATION**

## STEP-1

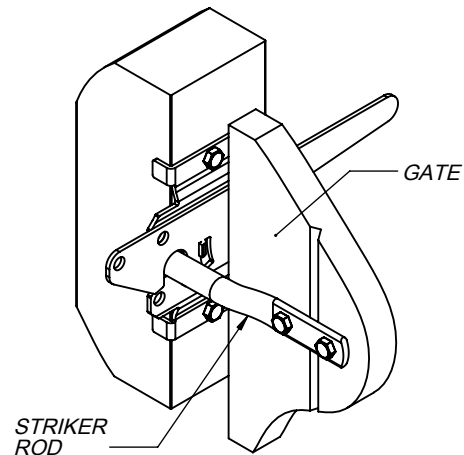
Locate the desired mounting height for the latch on the fence post, mark the centerpoints of the 2 mounting holes, and drill appropriate pilot holes for mounting screws. Realign latch and attach to post with the supplied lag screws (FIG 3).



**FIG 3**

## STEP-2

After installing the latch assembly, position and attach the Striker Rod to the gate. With the gate closed, position the striker with the Striker Rod secured in the latch assembly (FIG 4), and mark center points for mountingholes. Drill appropriate pilot holes and attach striker rod.



**FIG 4**

## STEP-3

After installation, TEST the locking and unlocking of the latch.